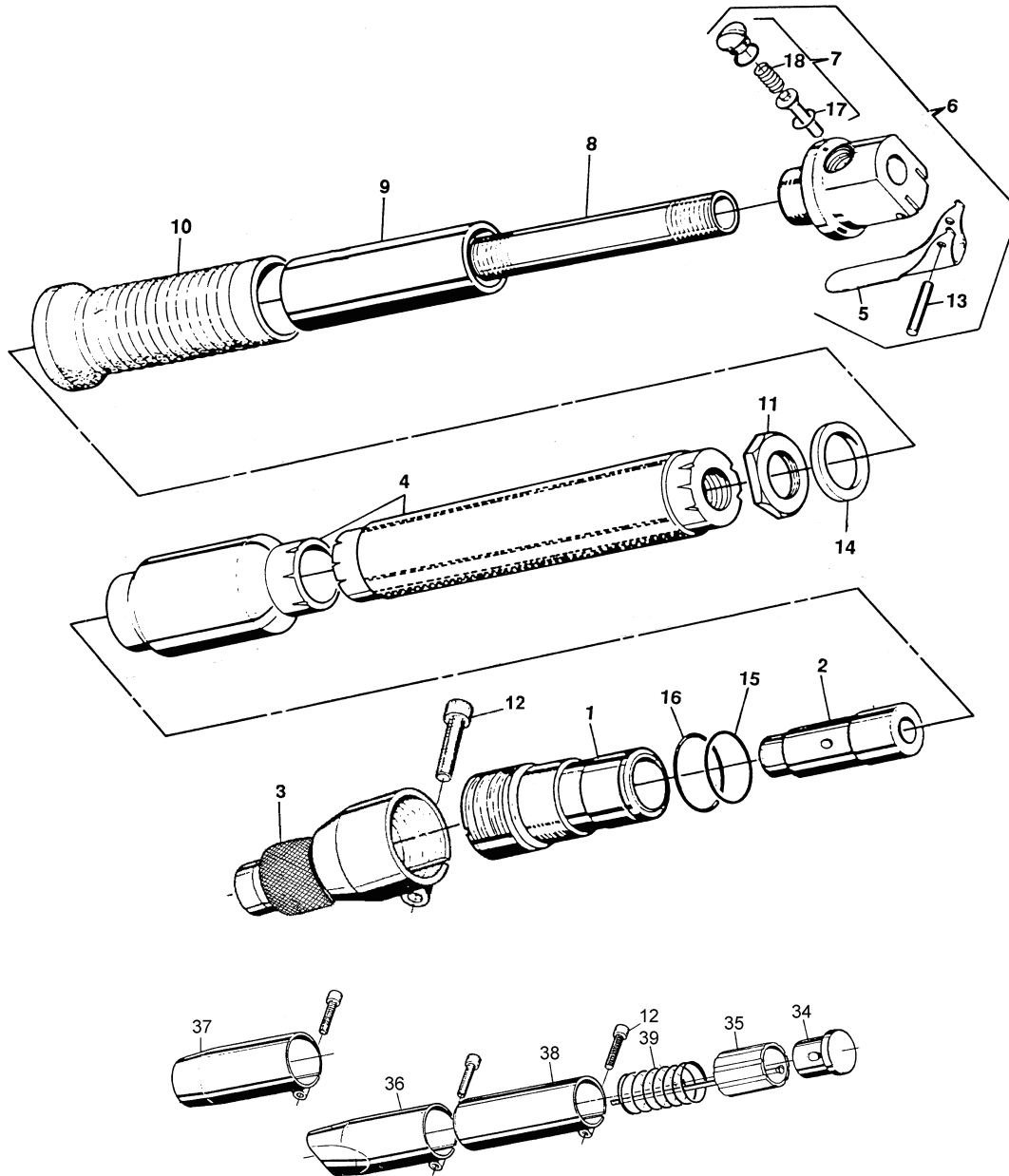


B20-00, B20-0, B20, B20-1

LONG REACH SCALERS

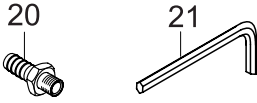


Item	Part No	Description	Qty
1	113.522	Body cylinder	1
2	143.524	Piston	1
3	6152505260	5/8" hex. Chisel Holder Assembly	1
4	320.515	Cover assembly B20	1
4	320.519	Cover assembly B20-00	1
4	320.520	Cover assembly B20-0	1
4	320.521	Cover assembly B20-1	1
5	321.574	Throttle lever	1
6	395.518	Valve body assembly (5-7-13)	1
7	399.745	Valve stem set (17-18)	1
8	570.537	Inner tube	1
9	570.538	Handle tube	1
10	570.539	Grip	1
11	607.518	Locknut	1
12	616.05	Screw	1

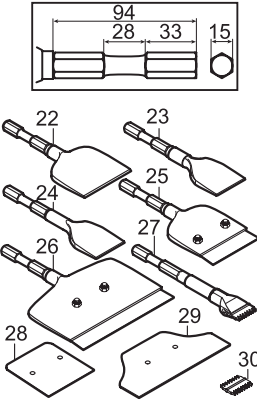
Item	Part No	Description	Qty
13	637.116	Roll pin	1
14	650.29	Sealing washer	1
15	658.242	'O' ring	1
16	658.243	'O' ring	1
17	658.239	'O' ring	1
18	681.578	Valve spring	1
		Nameplate	1



6158727980	Warning label
6159948780	Safety instructions
6159943830	Operator's manual

Accessories included


Item	Part No	Description	Qty
20	6155961050	1/4" air hose nipple for 3/8" ID hose	1
21	6158020560	Hex key 6mm	1

Optional accessories


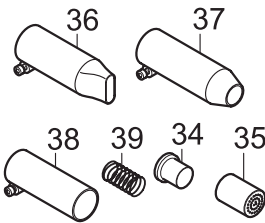
Item	Part No	Description	Qty
22	6158044410	Chisel width 3-15/16" length 7"	1
23	6158044420	Chisel width 1-31/32" length 7"	1
24	6150029000	Beryllium-copper, spark resistant chisel, width 1-31/32"	1
25	6150029010	Scaling tool width 3-15/16"	1
26	6150029020	Scaling tool width 7-7/8"	1
27	6150029030	Holder, comb-type chisel width 1-1/2" length 7"	1
28	6152505270	Spare blade, width 3-15/16"	1
29	6152505280	Spare blade, width 7-7/8"	1
30	6152505390	Spare comb, width 1-1/2"	1

Conversion to a Needle Scaler

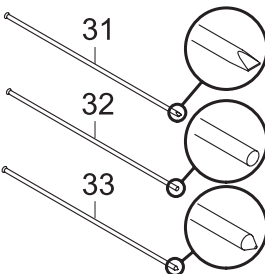
Remove the screw (12) from the tool retainer (3) and unscrew the tool retainer. Slide the spring (39), needle holder (35) with its set of needles and anvil (34) into the intermediate tube (38).

Position the straight front tube (36 or 37) on the intermediate tube (38). Screw on the tube assembly on the body cylinder (1) and lock the assembly in position with the screw. Remove the screw from the straight front tube (36 or 37) and position it so that the needles protrude by approximately 25 mm. Tighten the screw.

To compensate for needle wear, reassemble the straight front tube (36 or 37) on the intermediate tube (38).

Accessories to convert B20 into Needle Scalers


Item	Part No	Description	Qty
34	6152505160	Anvil	1
35	6152505170	Needle holder for 28 needles Ø1/8"	1
35	6152505330	Needle holder for 35 needles Ø5/32"	1
36	6152505180	Straight front tube	1
37	6152505190	Round front tube	1
38	6155665430	Intermediate tube	1
39	6156815800	Compression spring	1



Item	Part No	Description	Qty
31	6153998190	Chisel tip needles Ø1/8"	100
31	6153998200	Chisel tip needles Ø5/32"	100
32	6153998160	Flat tip needles Ø5/64"	100
32	6153998170	Flat tip needles Ø1/8"	100
32	6153998180	Flat tip needles Ø5/32"	100
32	6158040630	Beryllium-copper, spark resistant flat tip needles Ø1/8"	100
33	6153998210	Pointed tip needles Ø1/8"	100
33	6153998220	Pointed tip needles Ø5/32"	100

Spare parts without part number are not sold separately