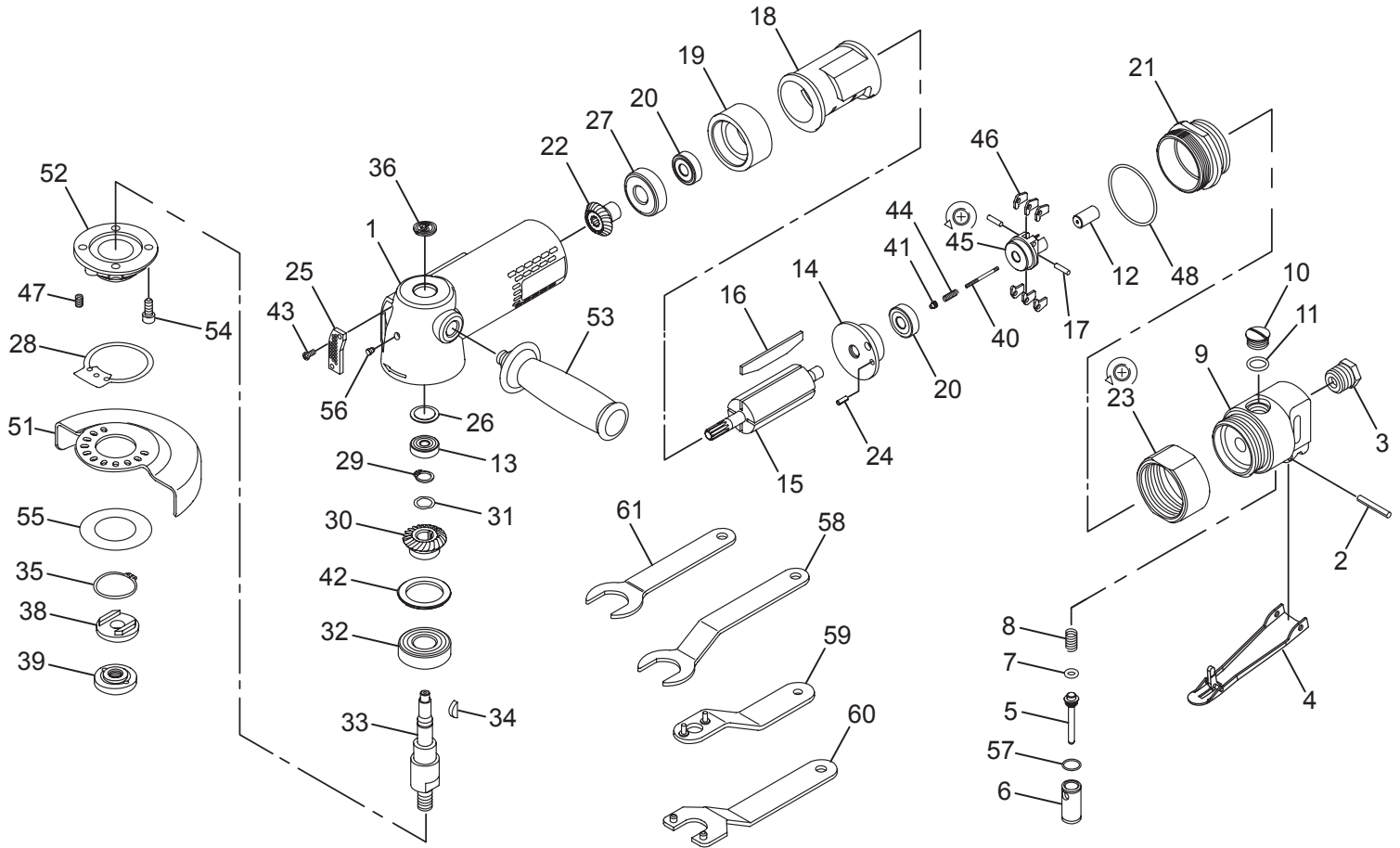




# Chicago Pneumatic

## CP9120, CP9121 & CP9122 Series 4", 5" & 4-1/2" Angle Grinders Model C



Item No.	Parts No.	Description	Qty
1	2050533803	Motor Housing	1
2	2050484613	Spring Pin (4x28)	1
3	2050484083	Air Inlet	1
4	2050484623	Throttle Lever	1
5	2050484633	Valve Shaft	1
6	2050484643	Bushing	1
7	2050533813	O-Ring (4, 8x1.9)	1
8	2050484663	Valve Spring	1
9	2050533823	Throttle Valve Housing	1
10	8940176435	Throttle Lever plug kit (include 10 & 11)	1
11			
12	2050484693	Plunger	1
13	2050486913	Ball Bearing (626zz)	1
14	2050484703	Rear End Plate	1
15	2050484713	Rotor	1
16	2050484723	Blade Set (x4 pcs)	1
17	2050487003	Spring Pin (3x12)	2
18	2050484733	Cylinder	1
19	2050484743	Front End Plate	1
20	2050486823	Ball Bearing (608zz)	2
21	2050533843	Lock Nut	1
22	2050484763	Bevel Gear	1
23	2050533853	Coupling Nut	1
24	2050487013	Spring Pin (3x8)	1
25	2050484783	Deflector	1
26	2050484793	Spacer	1
27	2050486953	Ball Bearing (6201zz)	1
28	2050533863	Lock Ring	1
29	2050484573	Retainer Ring (STW-10)	1
30	2050533873	Bevel Gear	1
31	2050484823	Wave Washer	1
32	2050486883	Ball Bearing	1
33	2050533883	Spindle (3/8"-24) for CP9120CR, CP9121CR, CP9122CR	1
	2050533893	Spindle M14 x 2 for CP9121AR	1
	2050535053	Spindle (5/8"-11) for CP9121BR & CP9122BR	1
34	2050484843	Key	1
35	2050533903	Retainer Ring (STW-27)	1
36	2050533913	CP Logo Ring (15mm)	1
	6155031630	Flange (3/18"-24) for CP9120CR	1
	6155031590	Flange (M14*2) for CP9121AR	1
	2050533943	Flange (3/8"-24 UNF) for CP9121CR & CP9122CR	1
	6155031600	Flange (5/8"-11) for CP9121BR & CP9122BR	1

Item No.	Parts No.	Description	Qty
39	6156060430	Flange Nut (3/8"-24) for CP9120CR	1
	6155020770	Flange Nut (M14x2) for CP9121AR	1
	2050533973	Flange Nut (3/8"-24) for CP9121CR & CP9122CR	1
	6155020780	Flange Nut (5/8"-11) for CP9121BR & CP9122BR	1
40	2050484903	Adjust Screw	1
41	2050484913	Adjust Nut	1
42	2050533983	Spacer	1
43	2050484193	Screw (TS2.9)	2
44	2050484933	Spring Pin	1
45	2050484943	Governor	1
46	2050484953	Pendulum	6
47	2050533993	Spring	1
48	2050484963	O-Ring (37, 8x1, 78)	1
51	2050534003	4" Disc Guard for CP9120 Series	1
	2050534013	4 1/2" Disc Guard for CP9122 Series	1
	2050534023	5" Disc Guard for CP9121 Series	1
52	2050534053	Bearing Cap	1
53	2050524063	Side Handle	1
54	2050534063	Screw (M5x12)	4
55	2050534073	Spacer	1
56	2050534083	Oil Cap	1
57	2050484483	O-Ring (10, 5x1)	1
58	2050534043	Spanner (24 mm)	1
59	2050485003	Pin Wrench for CP9120CR	1
60	2050486673	Pin Wrench for CP9121 & CP9122 Series	1
61	2050534033	Spanner (21 mm)	1
	2050504823	Tune-up Kit (Incl: Index No. 7, 8, 11, 16, 20)	
	2050504833	Bevel Gear Kit (Incl: Index No. 13, 22, 24, 27, 29, 30, 31, 32, 34)	

	8940167754	Operator's Manual
	6158727980 6158726900 6158727560	Warning Labels
	6159948760	Safety Instructions