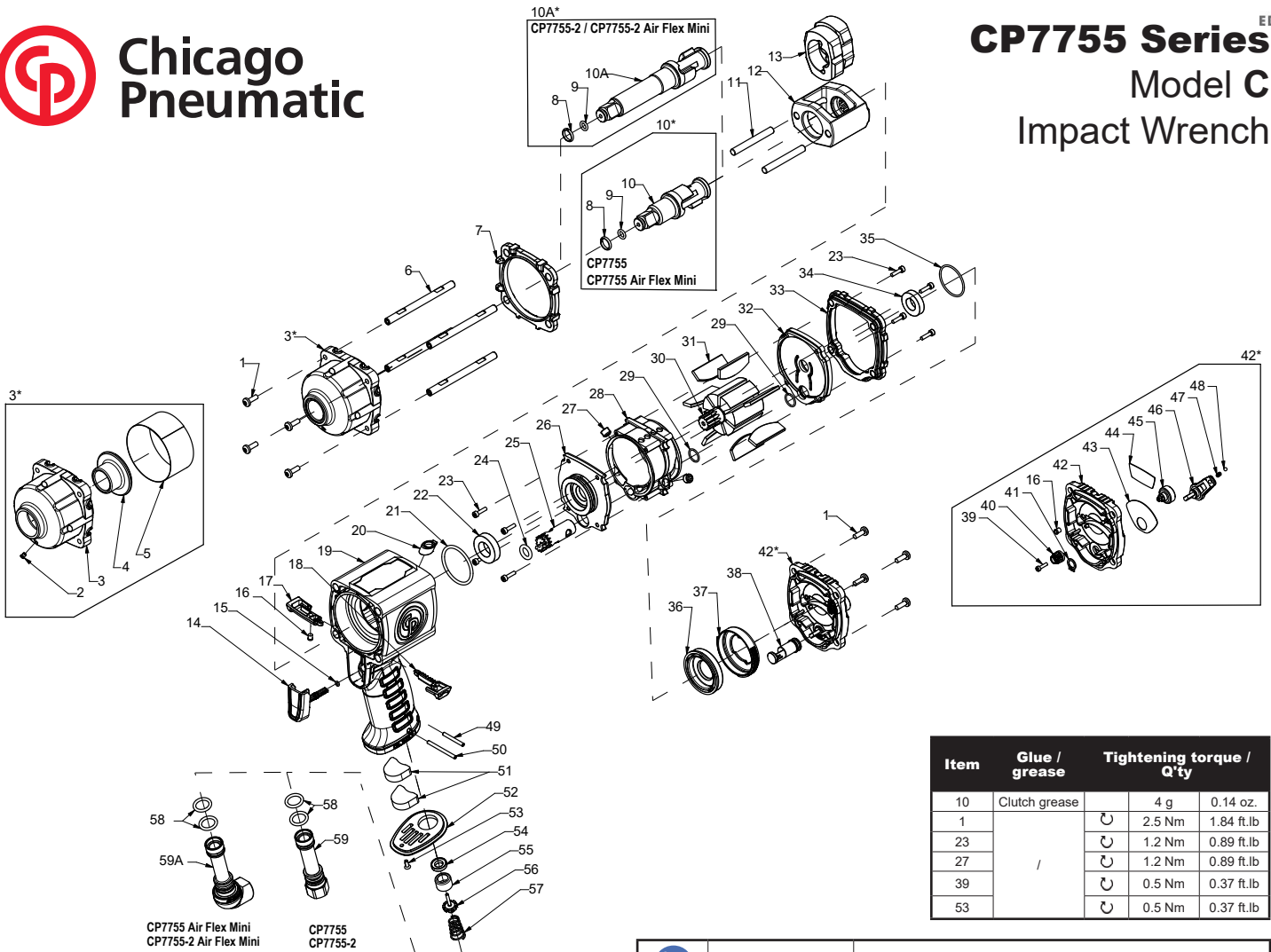




**Chicago  
Pneumatic**



**CP7755 Series**  
**Model C**  
**Impact Wrench**



Item	Glue / grease	Tightening torque / Q'ty
10	Clutch grease	4 g 0.14 oz.
1		2.5 Nm 1.84 ft.lb
23		1.2 Nm 0.89 ft.lb
27		1.2 Nm 0.89 ft.lb
39		0.5 Nm 0.37 ft.lb
53		0.5 Nm 0.37 ft.lb

Item No.	Part No.	Description	Q'ty
11	2050521123	Hammer Pin (Set of 2)	1
12	2050521143	Hammer Frame	1
13	2050521133	Hammer (Set of 2)	1
19	8940175556	Motor Housing	1
28	8940175568	Cylinder Included 27 (x2)	1
30	8940175569	Rotor	1
31	8940175570	Rotor Blade (Set of 7)	1
<b>10*</b>	<b>2050521363</b>	<b>Anvil Assembly</b>	
8		Socket Retainer	1
9		O-Ring 5.8x1.9	1
10		Anvil Unit	1
<b>10A*</b>	<b>2050526443</b>	<b>Anvil Long Assembly</b>	
8		Socket Retainer	1
9		O-Ring 5.8x1.9	1
10A		Anvil Long	1
<b>A</b>	<b>8940171601</b>	<b>Socket Retainer Kit</b>	
8		Socket Retainer	5
9		O-Ring 5.8x1.9	5
<b>B</b>	<b>8940176213</b>	<b>Clutch Housing Kit</b>	
3*		Clutch Housing (Assembled with 2, 3, 4 & 5)	1
7		Bumper Front	1
<b>C</b>	<b>8940176214</b>	<b>Front End Plate Kit</b>	
21		O-Ring 32.99x2.62	1
22		Ball Bearing 6902ZZ	1
26		Front End Plate	1
<b>D</b>	<b>8940176215</b>	<b>Rear End Plate Kit</b>	
29		O-Ring 11x1.27	1
32		Rear End Plate	1
34		Ball Bearing 6901	1
35		O-Ring 27x1.5	1
<b>E</b>	<b>8940176227</b>	<b>Throttle Valve Kit</b>	
54		Valve Seat	1
55		Bushing	1
56		Throttle Valve	1
57		Spring-Inlet Valve	1
<b>F</b>	<b>8940176216</b>	<b>Exhaust Deflector Kit</b>	
49		Slotted Spring Pin Ø3x26	1
50		Slotted Spring Pin Ø3x36	1
51		Muffler (Set of 2)	1
52		Exhaust Deflector	1

	8940175585	Warning Label
--	------------	---------------

Item No.	Part No.	Description	Q'ty
<b>G</b>	<b>8940176217</b>	<b>Inlet Kit</b>	
49		Slotted Spring Pin Ø3x26	1
50		Slotted Spring Pin Ø3x36	1
58		O-Ring 12.6x2.5	2
59		Air Inlet 1/4" NPT	1
<b>H</b>	<b>8940176218</b>	<b>Air Flex Mini Kit</b>	
49		Slotted Spring Pin Ø3x26	1
50		Slotted Spring Pin Ø3x36	1
58		O-Ring 12.6x2.5	2
59A		Air Flex Mini 1/4" NPT	1
<b>I</b>	<b>8940176219</b>	<b>Trigger &amp; Reverse Button Kit</b>	
14		Trigger	1
15		O-Ring 3x1	1
16		Positioning Ball	1
17		Reverse Button (Forward)	1
18		Reverse Button (Reverse)	1
<b>J</b>	<b>8940176221</b>	<b>Screw Kit</b>	
1		Screw M4x0.7-12	8
6		Screw Spacer	4
23		Screw M3x0.5-12	8
39		Screw M2.5x0.45-10	1
53		Screw M3x8	1
<b>K</b>	<b>8940176222</b>	<b>Bumper Kit</b>	
7		Bumper Front	1
33		Bumper Rear	1
<b>L</b>	<b>8940176223</b>	<b>Regulator Kit</b>	
24		O-Ring 9x3	1
25		Distributor	1
29		O-Ring 11X1.27	2
38		Regulation Pin	1
<b>M</b>	<b>8940176224</b>	<b>Back Plate Kit</b>	
35		O-Ring 27x1.5	1
36		Centering Cap	1
37		Regulation Ring	1
42*	8940176220	Back Plate Assembly	
<b>O</b>	<b>8940176226</b>	<b>Tune Up Kit</b>	
		Included 15, 20, 21, 24, 29, 31, 35, 39, 41, 47, 48, 49, 50, 51, 54 & 58.	

**Recommended Accessories**



**Oil for motor lubrication**  
CA149661 (4 oz - 0.12 l)  
CA000046 (20,8 oz. - 0, 59 l)  
P089507 (1 gal - 3.8 l)

**Protective Cover**  
8940176299

Spare parts without part number are not sold separately  
Contact us at [www.cp.com](http://www.cp.com)

07/10/2019  
8940175877 Rev. : 02