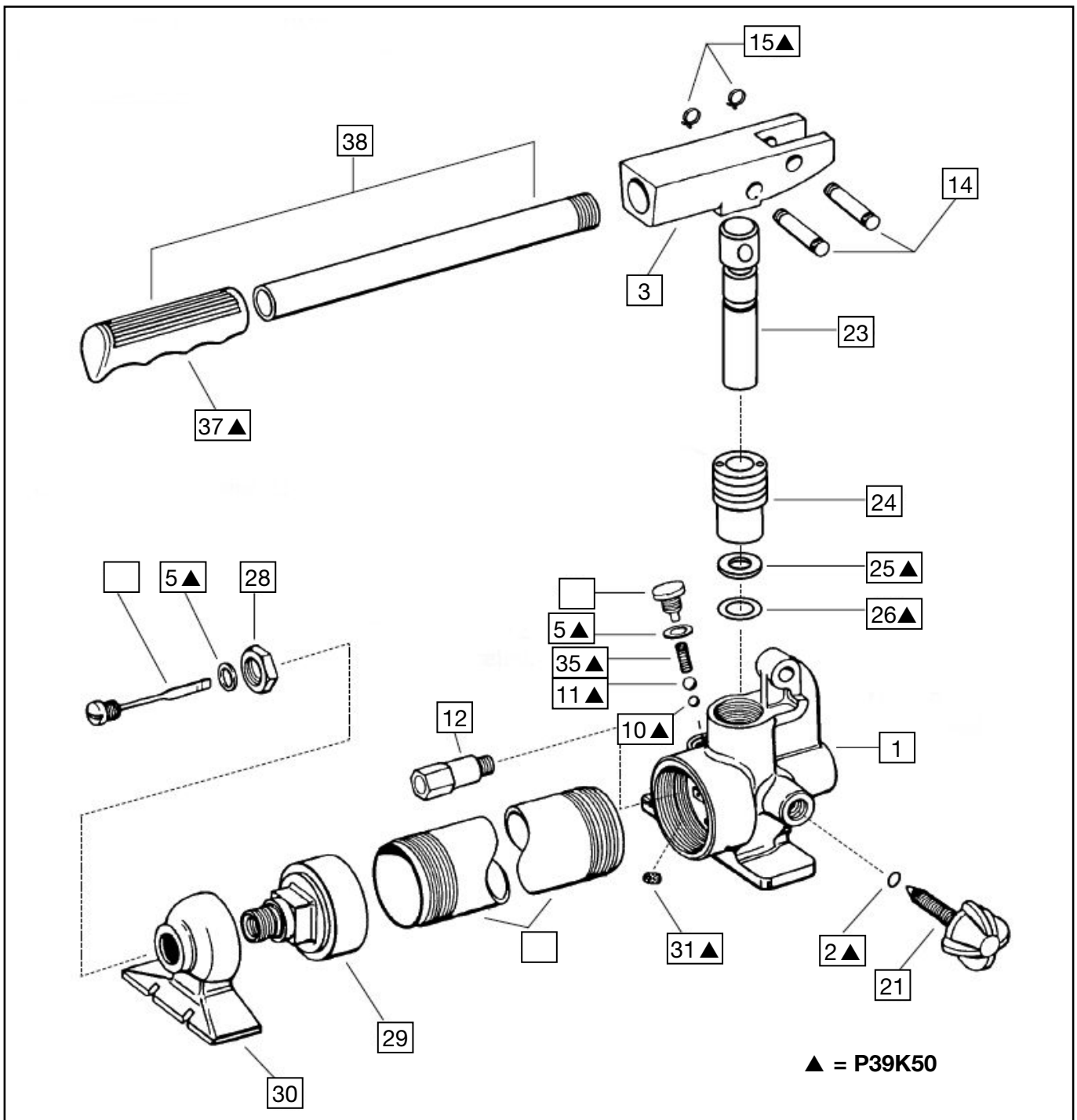


Repair Parts Sheet	Revision	Revision Date	Product Code Beginning
Reference nr. L2850	Rev. B	08/2012	G (P18) H (P39)



Repair Parts List			L 2850
Item	Description	Qty.	P18 / P39
1	Pump Base	1	Not available. Order new pump
2	O Ring	1	▲
3	Beam	1	B113060-1
5	Gasket	2	▲
10	Ball	1	▲
11	Ball	1	▲
12	Relief Valve Assy P39	1	DA8802900SR
13	Valve Plug (incl. 5, 10,11,35)	1	K3006SR
14	Beam Pin (incl. 15)	2	DC106061SR1
15	Retaining Ring	2	▲
18	Filler Plug (incl. 5)	1	B110900SR
21	Release Valve (incl. 2)	1	DA8786900SR
22a	Reservoir P39	1	P1625
22b	Reservoir P18	1	B381025
23	Piston Link Assy.	1	DA8954900SR
24	Piston Sleeve (incl. 25, 26)	1	DA6853446SR
25	Back Up Ring	1	▲
26	O Ring	1	▲
28	Lock Nut	1	P75181
29	Reservoir Cap	1	P75266-1
30	Pump Rest	1	P76267-1
31	Oil Strainer	1	▲
35	Spring	1	▲
37	Grip	1	▲
38	Handle / Grip Assy.	1	C7900SR
39	Decal Enerpac (not shown)	1	▲
40	Decal Enerpac (not shown)	1	▲
	Repair kit	1	P39K50

▲ = Items included in and available only as part of repair kit P39K50. For Viton seal, order P39K3V



Item	Torque / Remark
12	13 - 16Nm 10 - 12FT-LBS
13	34 - 41Nm 25 - 30FT-LBS
18	20 - 27Nm 15 - 20FT-LBS
22	203 - 298Nm 150 - 220FT-LBS
24	Stake thread after test
28	27 - 41Nm 20 - 30FT-LBS
29	203 - 298Nm 150 - 220FT-LBS
	Relief valve setting
P39	704 745 Bar / 10200 - 10800PSI
P18	197 - 217 Bar / 2850 - 3150PSI



To maintain your warranty:

- Use only Enerpac Oil
- Have your products inspected and repaired by an Enerpac Authorized Service Center

ENERPAC

Visit www.enerpac.com for the location of the Enerpac Authorized Service Center nearest you.