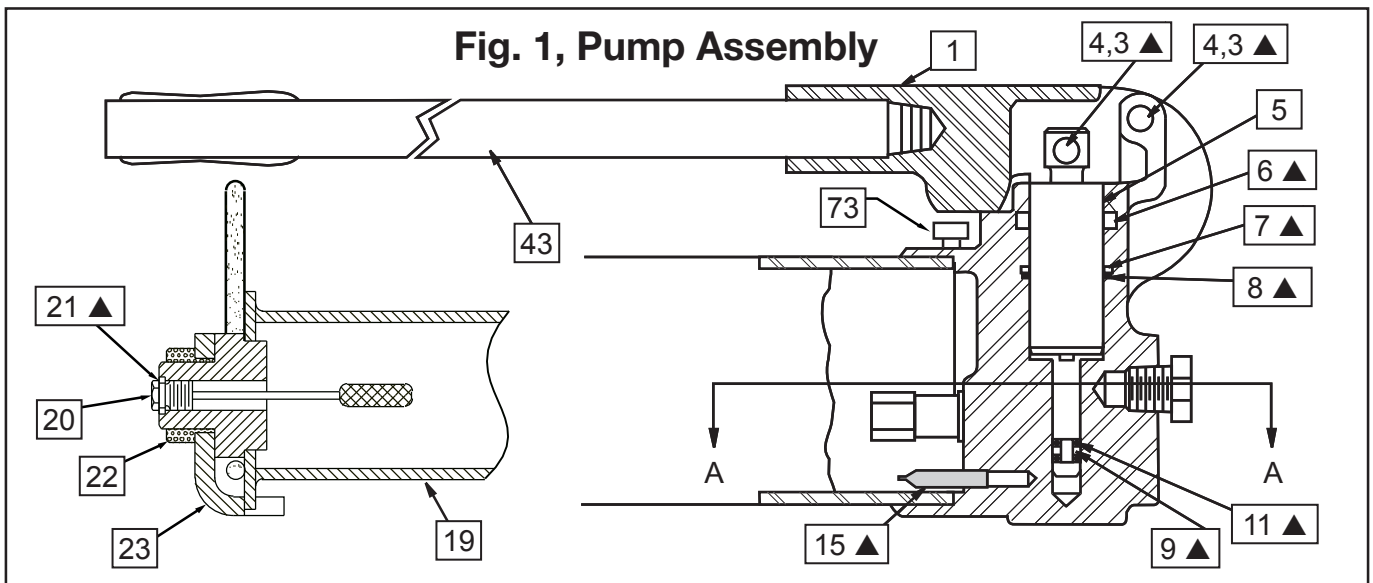


Repair Parts Sheet

**P80, P801, P84
Hydraulic Hand Pumps**

Repair Parts Sheet	Revision	Revision Date	Product Code Beginning
Reference nr. L2851	Rev.A	02/2009	D (P80), D (P801), A (P84)



Repair Parts List Fig. 1					L2851
Item	Description	Qty.	P801	P80	P84
1	Beam	1	B113060-1	B113060-1	B113060-1
3	Retaining Ring	2	▲	▲	▲
4	Beam Pin (incl. 3)	2	DC106061SR1	DC106061SR1	DC106061SR1
5	Plunger (incl. 3,4,6,7,8,9,11)	1	CN464051SR2	CN464051SR2	CN464051SR2
6	Wiper	1	▲	▲	▲
7	Back Up Ring	1	▲	▲	▲
8	O Ring	1	▲	▲	▲
9	O Ring	1	▲	▲	▲
11	Back Up Ring	1	▲	▲	▲
15	Filter	1	▲	▲	▲
19	Reservoir Assy.	1	CS605900	B245900SR	B245900SR
20	Filler Plug (incl. 21)	1	CL244950SR	CL244950SR	CL244950SR
21	Gasket	5	▲	▲	▲
22	Jam Nut	1	S4123	S4123	S4123
23	Pump Rest	1	DC3117267	B242267	B242267
43	Handle Assy	1	BSS2924D	C7900SR	C7900SR
73	Vent	1	CA561024	CA561024	CA561024
74	Sleeve Protector (not shown)	1	▲	▲	▲
	Repair Kit	1	P80K50	P80K50	P84K50

▲ = indicated items are only available as part of repair kit

For Viton kit: P80 use P80KV3 and for P84 use P84K3V

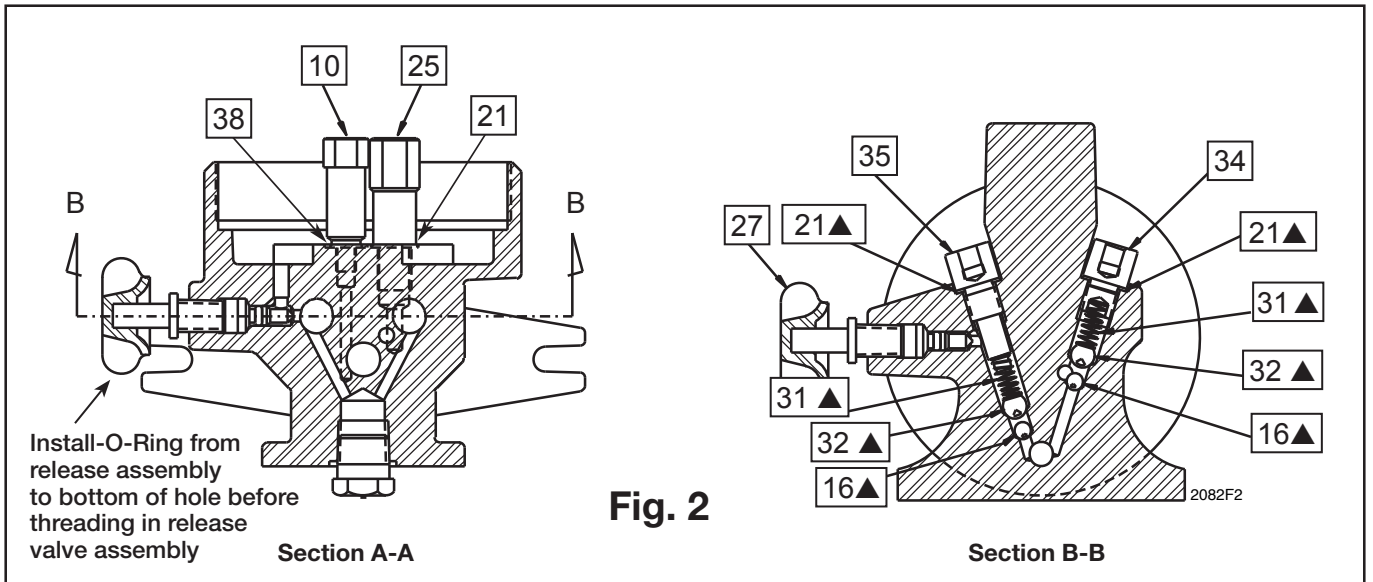


Fig. 2

Repair Parts List Fig. 2					L2851
Item	Description	Qty.	P801	P80	P84
10	Relief Valve (incl. 38)	1	A8613900SR	A8613900SR	A8613900SR
16	Ball	2		▲	▲
21	Gasket	5		▲	▲
25	By Pass Valve (incl. 21)	1	C960900SR	C960900SR	C960900SR
27	Release Valve (incl. 28,29,30)	1	CL655950SR	CL655950SR	
31	Spring	2		▲	▲
32	Ball	2		▲	▲
34	Valve Plug (incl. 21,31,32,16)	1	B249185SR	B249185SR	B249185SR
35	Valve Plug (incl. 21,31,32,16)	1	DA2526006SR	DA2526006SR	DA2526006SR
38	Gasket	1	▲	▲	▲
	Repair Kit	1	P80K50	P80K50	P84K50

▲ = indicated items are only available as part of repair kit

For Viton kit: P80 use P80KV3 and for P84 use P84K3V

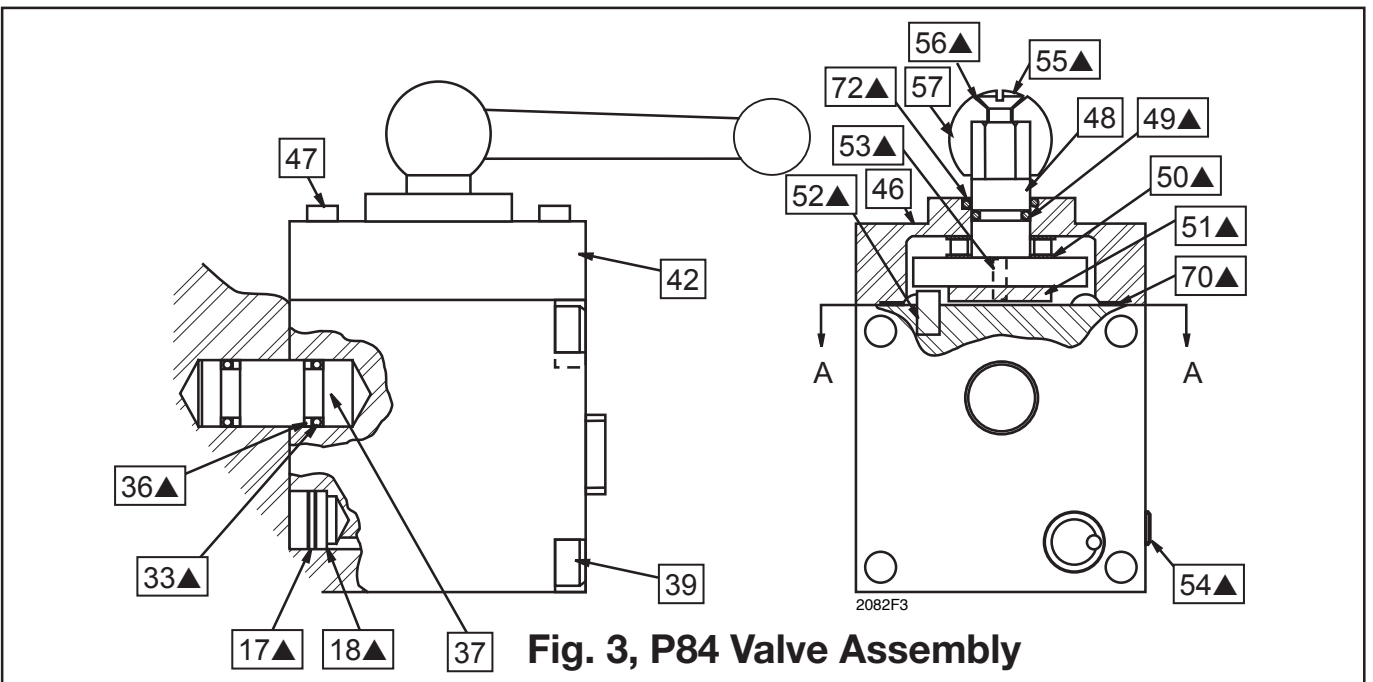


Fig. 3, P84 Valve Assembly

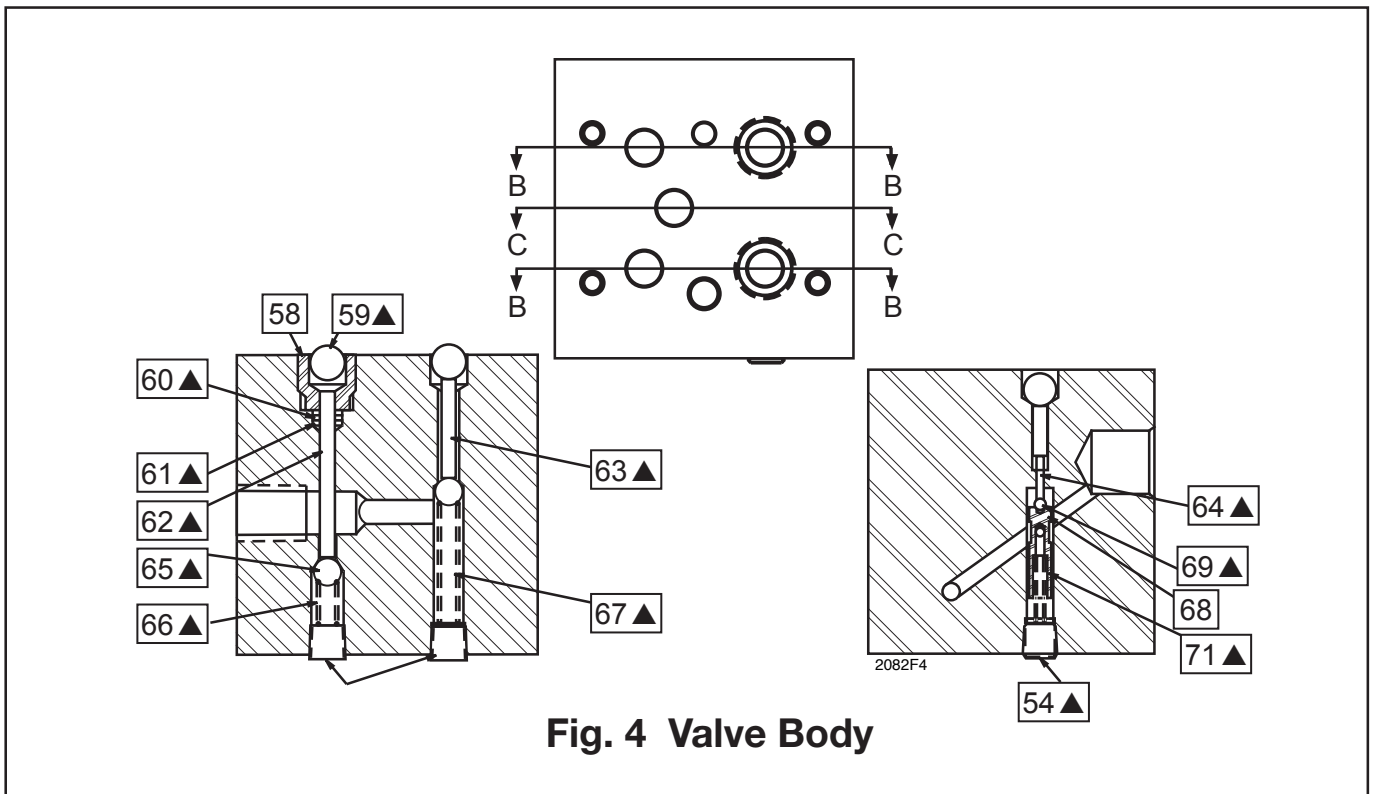
Repair Parts List Fig. 3

L 2851

Item	Description	Qty.	P84
17	Seal Ring	1	▲
18	Washer	1	▲
33	O Ring	2	▲
36	Back Up Ring	2	▲
37	Connector	1	C952270SR
39	Cap Screw	4	B1025028
42	4 Way Valve Assy. (incl. 17,18,33,36)	1	C945900SR
46	Valve Body Cap (incl. 70)	1	C934162SR
47	Cap Screw	4	B1332028
48	Disc (incl. 49,50,51,52,53)	1	C932071SR
49	O Ring	1	▲
50	Needle Thrust Bearing	1	▲
51	Disc Bar	1	▲
52	Groove Pin	1	▲
53	Spring Pin	2	▲
54	Pipe Plug	7	▲
55	Screw	1	▲
56	Lock Washer	1	▲
57	Valve Lever (incl. 55, 56)	1	P6012SR
70	Gasket	1	▲
72	Seal	1	▲
	Repair Kit	1	P84K50

▲ = indicated items are only available as part of repair kit P84K50
 For Viton kit: P80 use P80KV3 and for P84 use P84K3V

Note: Vale Base is not sold as a service part.
 Order complete Valve Assembly C945900SR



Repair Parts List Fig. 4

L 2851

Item	Description	Qty.	P84
54	Pipe Plug	7	▲
58	Valve Body Insert (incl. 54,59,60,61,62,65,66)	2	C861439SR
59	Ball	5	▲
60	Spacer	2	▲
61	O Ring	2	▲
62	Push Pin	2	▲
63	Push Pin	2	▲
64	Push Pin	1	▲
65	Ball	4	▲
66	Spring	2	▲
67	Spring	2	▲
68	Spring / Ball Cap Assy. (incl. 64, 67,71)	1	F4570SR
69	Ball	1	▲
71	Spring	1	▲
	Repair Kit	1	P84K50

▲ = indicated items are only available as part of repair kit P84K50



Item	Torque / Remark
10	2.8 -3.4Nm 25 - 30Ft - Lbs
21	20 - 27 Nm 15-20Ft - Lbs
25	34 - 41Nm 60 - 70Ft - Lbs
34	34 - 41Nm 60 - 70Ft - Lbs
35	34 - 41Nm 60 - 70Ft - Lbs
47	4.3 - 5.2Nm 38 - 46In - Lbs
54	13.6 - 16.3Nm 10 - 12Ft-Lbs
58	13.6 - 14.1Nm 120 - 125 In-Lbs

Item	Relief valve setting
10	24 - 31Bar 350 - 450Psi
25	697 - 752Bar 10100 - 10900Psi



**To maintain your warranty,
have your products inspected and repaired
by an authorised Enerpac Service Centre**

www.enerpac.com