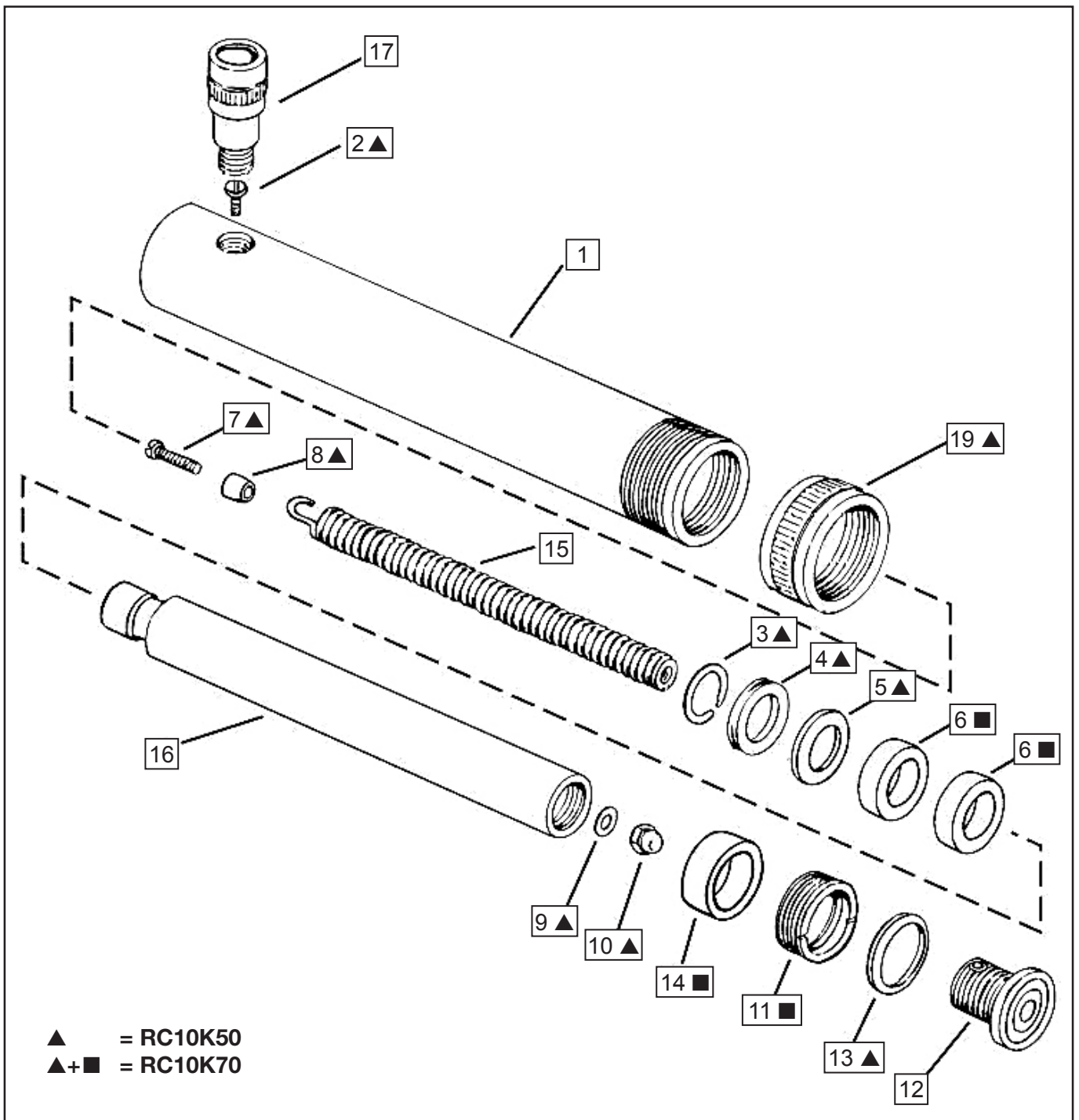


Repair Parts Sheet

RC101, RC102, RC104, RC106, RC108,
RC1010, RC1012, RC1014

Repair Parts Sheet	Revision	Revision Date	Product Code Beginning
Reference nr. L2802	Rev.A	02/2009	D



Repair Parts List

L 2802

Item Nr.	Description	Qty.	RC101	RC102	RC104	RC106	RC108	RC1010	RC1012	RC1014
1	Base	1	Not available, order new cylinder							
2	Screw	1	▲	▲	▲	▲	▲	▲	▲	▲
3	Retaining ring	1	▲	▲	▲	▲	▲	▲	▲	▲
4	U cup	1	▲	▲	▲	▲	▲	▲	▲	▲
5	Washer	1	▲	▲	▲	▲	▲	▲	▲	▲
6A	Rod bearing	2				■	■	■	■	■
6B	Rod Bearing	1	■	■	■					
7A	Screw	1				▲	▲	▲	▲	▲
7B	Self tapping Screw (Not shown)		▲	▲	▲					
8	Bushing	1				▲	▲	▲	▲	▲
9	Gasket	1				▲	▲	▲	▲	▲
10	Acorn Nut	1				▲	▲	▲	▲	▲
11	Bearing Stop ring	1	■	■	■	■	■	■	■	■
12	Saddle Assembly	1		A102G	A102G	A102G	A102G	A102G	A102G	A102G
13	Wiper	1	▲	▲	▲	▲	▲	▲	▲	▲
14	Bearing sleeve	1				■	■	■	■	■
15	Spring (Incl. Items 7,8,9,10)	1	L202110SR	L202110SR	CB425110SR	F937110SR	CF289110SR	F938110SR	CF290110SR	L119110SR
16	Plunger	1	Not available, order new cylinder							
17	Coupler	1	CR400	CR400	CR400	CR400	CR400	CR400	CR400	CR400
18	Dust Cap (not shown)	1	▲	▲	▲	▲	▲	▲	▲	▲
19	Thread Protector	1	▲	▲	▲	▲	▲	▲	▲	▲
20	O ring coupler (not shown)	1	▲	▲	▲	▲	▲	▲	▲	▲
21	Warning Decal (not shown)	1	▲	▲	▲	▲	▲	▲	▲	▲
22	Enerpac Decal (not shown)	2	▲	▲	▲	▲	▲	▲	▲	▲
23	O Ring Saddle (not shown)	1	▲	▲	▲	▲	▲	▲	▲	▲

▲ = Items are included and available only as Part of Repair kit RC10K50.

■ = Items are included and available only as Part of Repair kit RC10K70. Repair Kit RC10K70 includes RC10K50.



Item Nr.	Torque / Notes
5	Washer to be placed with the sharp edge towards U Cup
7A	Firmly tighten screw to assure secure contact with the plunger.
7B	5,4 – 6,8 Nm 4 -5 ft lbs
10	10.8 – 13.5 Nm 8 – 10 ft lbs
11	7.9 -10.2 Nm 70 – 90 in lbs
11	Secure with Loctite 222
17	34 – 81 Nm 25 – 60 ft lbs
17	Use Loctite 545 or Teflon tape.



To maintain your warranty, have your products inspected and repaired by an authorised Enerpac Service Centre

www.enerpac.com