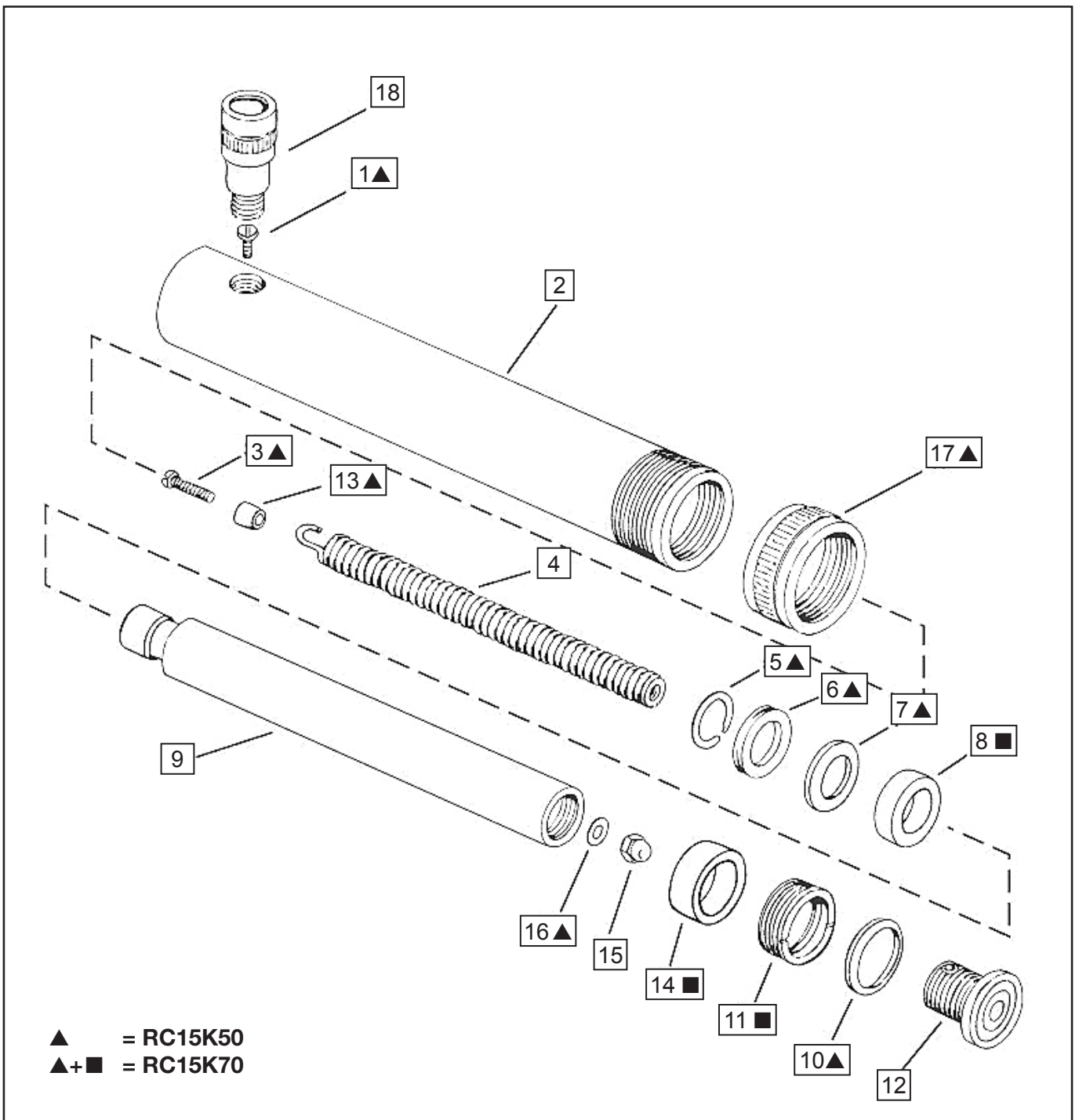


Repair Parts Sheet	Revision	Revision Date	Product Code Beginning
Reference nr. L2803	Rev.A	02/2009	A



Repair Parts List

L 2803

Item nr.	Description	Qty.	RC151	RC152	RC154	RC156	RC158	RC1510	RC1512	RC1514
1	Screw	1	▲	▲	▲	▲	▲	▲	▲	▲
2	Cylinder	1	Not available, order new cylinder.							
3A	Screw	1				▲	▲	▲	▲	▲
3B	Self tapping screw	1	▲	▲	▲					
4	Spring (incl. item 3,13,15 and 16)	1	L202110SR	L202110SR	CB425110SR	F937110SR	CF289110SR	F938110SR	CF290110SR	L119110SR
5	Retaining ring	1	▲	▲	▲	▲	▲	▲	▲	▲
6	U cup	1	▲	▲	▲	▲	▲	▲	▲	▲
7	Washer	1	▲	▲	▲	▲	▲	▲	▲	▲
8	Rod Bearing	1	■	■	■	■	■	■	■	■
9	Plunger	1	Not available, order new cylinder.							
10	Wiper Ring	1	▲	▲	▲	▲	▲	▲	▲	▲
11	Stop Ring	1	■	■	■	■	■	■	■	■
12	Grooved saddle	1	A152G	A152G	A152G	A152G	A152G	A152G	A152G	A152G
13	Bushing	1				▲	▲	▲	▲	▲
14	Bearing Sleeve	1				■	■	■	■	■
15	Nut	1				▲	▲	▲	▲	▲
16	Gasket	1				▲	▲	▲	▲	▲
17	Thread Protector	1	▲	▲	▲	▲	▲	▲	▲	▲
18	Coupler	1	CR400	CR400	CR400	CR400	CR400	CR400	CR400	CR400
19	Coupler O ring (not shown)	1	▲	▲	▲	▲	▲	▲	▲	▲
20	Caution decal (not shown)	1	▲	▲	▲	▲	▲	▲	▲	▲
21	Enerpac Decal (not shown)	2	▲	▲	▲	▲	▲	▲	▲	▲
22	Dust cap (not shown)	1	▲	▲	▲	▲	▲	▲	▲	▲
23	Saddle O ring (not shown)	1	▲	▲	▲	▲	▲	▲	▲	▲

▲ = RC15K50 (kit contains all parts marked with ▲)
 ▲+■ = RC15K70 (kit contains all parts marked with ▲+■)

Note: Viton seals are available for items 6 and 10:
 Order Repair kit **RC156KV** in addition to
 Repair kit **RC15K50**



Item nr.	Model	Torque/remark
3A	RC156 up to RC1514	Firmly tighten screw to assure contact with the plunger
3B	RC151 up to RC154	5.4 - 6.8 Nm (4 - 5 ft lbs)
7	All	Washer to be placed with sharp edge towards U Cup
11	All	7.9 - 10.2 Nm (70 - 90 in lbs) and loctite 222
15	RC156 up to RC1514	11 - 14 Nm (8 - 10 ft lbs)
18	All	34 - 81Nm (25 - 60 ft lbs)
18	All	Use Loctite 545 or teflon tape



**To maintain your warranty,
 have your products inspected and repaired
 by an authorised Enerpac Service Centre**

www.enerpac.com