



# CORONE

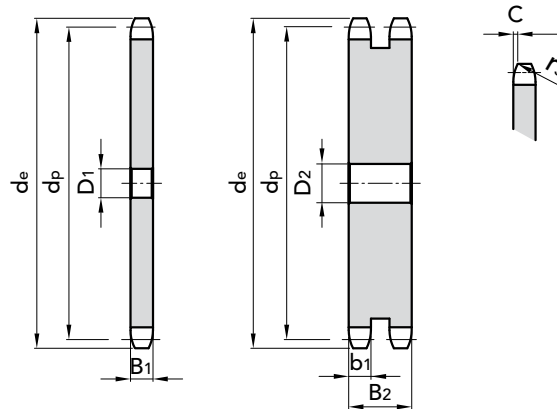
1" 3/4 x 1" 1/4

## CORONA

|                              |      |    |
|------------------------------|------|----|
| Raggio dente $r_3$           | 44   | mm |
| Larghezza raggio $C$         | 5    | mm |
| Larghezza dente corona $B_1$ | 29,4 | mm |
| Larghezza dente corona $b_1$ | 28,8 | mm |
| Larghezza dente corona $B_2$ | 88,4 | mm |
| Larghezza dente corona $B_3$ | 148  | mm |

## CATENA

|                   |       |    |
|-------------------|-------|----|
| Passo             | 44,45 | mm |
| Larghezza interna | 30,99 | mm |
| Rullo $\emptyset$ | 27,94 | mm |



### SEMPLICI

| Z  | D <sub>1</sub> | d <sub>e</sub> | d <sub>p</sub> | CODICE   | kg.    |
|----|----------------|----------------|----------------|----------|--------|
| 8  | 25             | 132,0          | 116,15         | 20144008 | 1,71   |
| 9  | 25             | 148,4          | 129,96         | 20144009 | 2,26   |
| 10 | 25             | 162,3          | 143,85         | 20144010 | 2,88   |
| 11 | 25             | 176,3          | 157,77         | 20144011 | 3,53   |
| 12 | 25             | 189,5          | 171,74         | 20144012 | 4,29   |
| 13 | 25             | 204,2          | 185,75         | 20144013 | 5,12   |
| 14 | 25             | 218,2          | 199,76         | 20144014 | 6,03   |
| 15 | 25             | 232,3          | 213,79         | 20144015 | 7,01   |
| 16 | 30             | 246,3          | 227,84         | 20144016 | 8,02   |
| 17 | 30             | 260,0          | 241,91         | 20144017 | 9,14   |
| 18 | 30             | 274,0          | 255,98         | 20144018 | 10,34  |
| 19 | 30             | 289,0          | 270,06         | 20144019 | 11,61  |
| 20 | 30             | 303,0          | 284,15         | 20144020 | 12,95  |
| 21 | 30             | 317,0          | 298,24         | 20144021 | 14,37  |
| 22 | 30             | 331,0          | 312,34         | 20144022 | 15,86  |
| 23 | 30             | 345,0          | 326,44         | 20144023 | 17,42  |
| 24 | 30             | 359,0          | 340,55         | 20144024 | 19,05  |
| 25 | 30             | 373,0          | 354,66         | 20144025 | 20,76  |
| 26 | 30             | 387,0          | 368,77         | 20144026 | 22,54  |
| 27 | 30             | 401,4          | 382,88         | 20144027 | 24,39  |
| 28 | 30             | 416,0          | 397,00         | 20144028 | 26,32  |
| 29 |                |                |                |          |        |
| 30 | 30             | 444,0          | 425,24         | 20144030 | 30,38  |
| 31 |                |                |                |          |        |
| 32 | 30             | 472,0          | 453,49         | 20144032 | 34,74  |
| 33 |                |                |                |          |        |
| 34 | 30             | 500,0          | 481,75         | 20144034 | 39,38  |
| 35 | 30             | 514,0          | 495,88         | 20144035 | 41,82  |
| 36 | 30             | 529,0          | 510,01         | 20144036 | 44,32  |
| 37 | 30             | 543,0          | 524,14         | 20144037 | 45,00  |
| 38 | 30             | 557,0          | 538,27         | 20144038 | 49,55  |
| 39 |                |                |                |          |        |
| 40 | 30             | 585,0          | 566,54         | 20144040 | 55,07  |
| 45 | 30             | 656,0          | 637,22         | 20144045 | 70,13  |
| 50 | 30             | 726,0          | 707,91         | 20144050 | 87,01  |
| 57 | 40             | 825,0          | 806,90         | 20144057 | 113,56 |

### DOPPIE

| Z  | D <sub>2</sub> | d <sub>e</sub> | d <sub>p</sub> | CODICE   | kg.    |
|----|----------------|----------------|----------------|----------|--------|
| 8  | 25             | 132,00         | 116,15         | 20244008 | 4,01   |
| 9  | 25             | 148,40         | 129,96         | 20244009 | 5,48   |
| 10 | 25             | 162,3          | 143,85         | 20244010 | 7,17   |
| 11 | 25             | 176,30         | 157,77         | 20244011 | 8,92   |
| 12 | 25             | 189,50         | 171,74         | 20244012 | 11,04  |
| 13 | 25             | 204,20         | 185,75         | 20244013 | 13,38  |
| 14 | 25             | 218,20         | 199,76         | 20244014 | 15,94  |
| 15 | 25             | 232,30         | 213,79         | 20244015 | 18,72  |
| 16 | 30             | 246,30         | 227,84         | 20244016 | 21,71  |
| 17 | 30             | 260,00         | 241,91         | 20244017 | 24,92  |
| 18 | 30             | 274,00         | 255,98         | 20244018 | 28,36  |
| 19 | 30             | 289,00         | 270,06         | 20244019 | 32,00  |
| 20 | 30             | 303,00         | 284,15         | 20244020 | 35,87  |
| 21 | 30             | 317,00         | 298,24         | 20244021 | 39,96  |
| 22 | 30             | 331,00         | 312,34         | 20244022 | 44,26  |
| 23 | 30             | 345,00         | 326,44         | 20244023 | 48,78  |
| 24 | 30             | 359,00         | 340,55         | 20244024 | 52,85  |
| 25 | 30             | 373,00         | 354,66         | 20244025 | 58,50  |
| 26 | 30             | 387,00         | 368,77         | 20244026 | 63,28  |
| 27 |                |                |                |          |        |
| 28 | 30             | 416,00         | 397,00         | 20244028 | 74,29  |
| 29 |                |                |                |          |        |
| 30 | 30             | 444,00         | 425,24         | 20244030 | 86,17  |
| 31 |                |                |                |          |        |
| 32 |                |                |                |          |        |
| 33 |                |                |                |          |        |
| 34 |                |                |                |          |        |
| 35 | 30             | 514,00         | 495,88         | 20244035 | 119,69 |
| 36 |                |                |                |          |        |
| 37 |                |                |                |          |        |
| 38 | 30             | 557,00         | 538,27         | 20244038 | 142,42 |
| 39 |                |                |                |          |        |
| 40 | 30             | 585,00         | 566,54         | 20244040 | 158,67 |
| 45 | 30             | 656,00         | 637,22         | 20244045 | 203,10 |
| 50 | 30             | 726,00         | 707,91         | 20244050 | 252,99 |
| 57 | 40             | 825,00         | 806,90         | 20244057 | 332,00 |

MATERIALE **FE / C45**

Per necessità specifiche chiedere.

